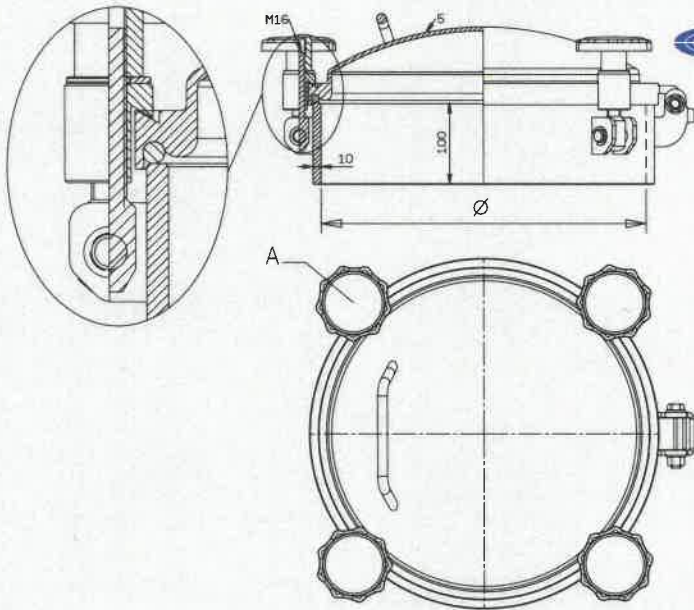




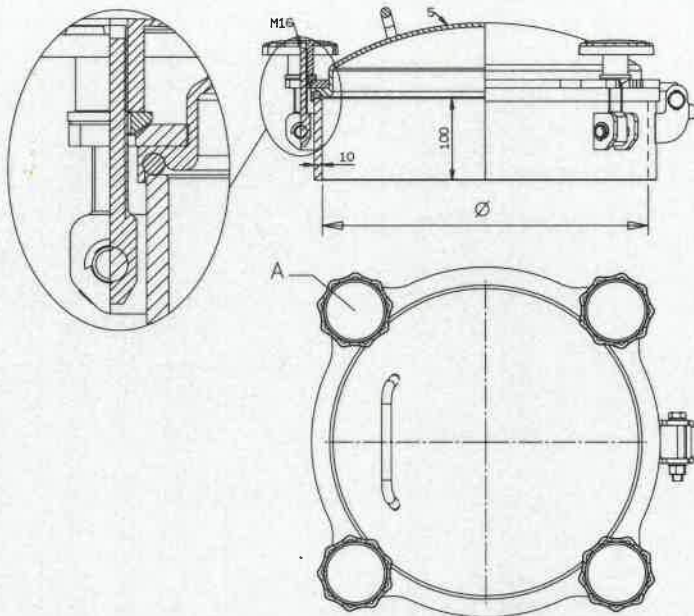
WORKING PRESSURE -1/8 BAR

CHIUSINO CIRCOLARE - TRAPPE EXTERIEURE RONDE - BOCA EXTERIOR REDONDA
 ROUND MANHOLE COVER - RUNDER DRUCK-DOMDECKEL

Art. P.I.P.M "G"



Art. P.I.P.M "F"



MOD.	Ø220	Ø300	Ø360	Ø400	Ø450	Ø500
A N°3	-1/5 bar	-1/3 bar	-1/2,5 bar			
A N°4	-1/8 bar	-1/5 bar	-1/5 bar	-1/3,5 bar	-1/3 bar	-1/2 bar
A N°6				-1/6 bar	-1/6 bar	-1/4,5 bar

