

Art. 80/1C

Chiusino antiritenzione
a otto chiusure

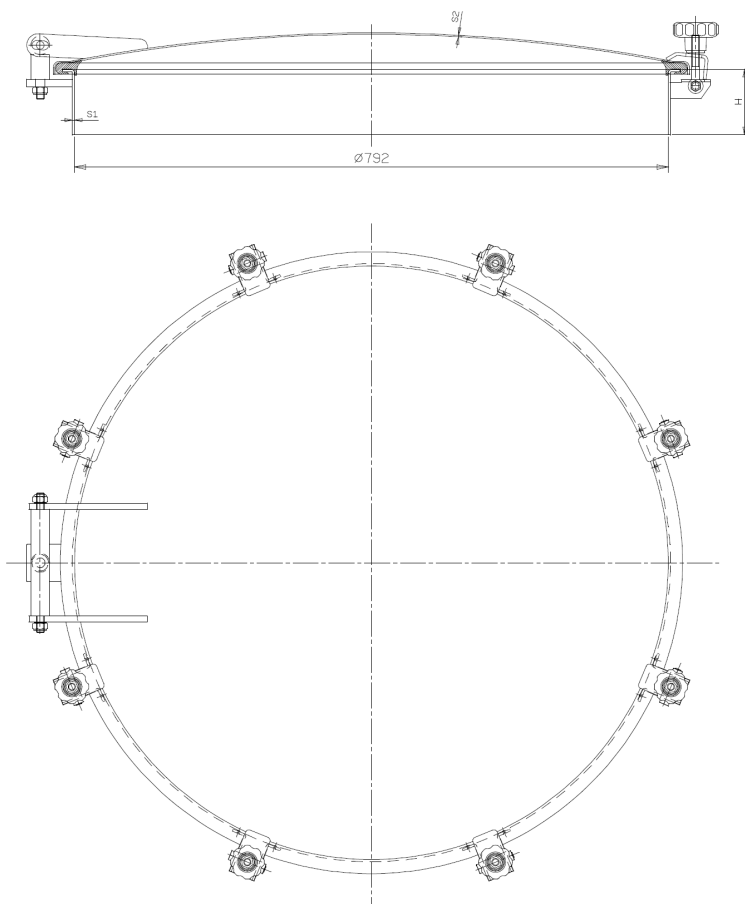
Trappe supérieure
anti-retention
à huit fermetures

Boca superior tipo aséptico
con ocho cierres

Aseptic lid with
eight closing points



Passaggio utile
Passage utile
Luz util de pasaje Ø 792 m/m
Access



ART. REF.	INOX AISI	H m/m	S1 m/m	S2 m/m	P. MAX BAR
80/1c-4	304	100	3	2	
80/1c-6	316	100	3	2	
80/1c/a-4	304	150	3	2	
80/1c/a-6	316	150	3	2	
80/1c/b-4	304	200	3	2	
80/1c/b-6	316	200	3	2	
80/1c/c-4	304	250	3	2	
80/1c/c-6	316	250	3	2	
80/1c/d-4	304	300	3	2	
80/1c/d-6	316	300	3	2	
80/1c/e-4	304	350	3	2	
80/1c/e-6	316	350	3	2	
80/1c/f-4	304	400	3	2	
80/1c/f-6	316	400	3	2	

H = Altezza telaio in m/m S1 = Spessore telaio in m/m S2 = Spessore coperchio in m/m
 = Hauteur cadre en m/m = Epaisseur cadre en m/m = Epaisseur portillon en m/m
 = Altura marco en m/m = Espesor marco en m/m = Espesor portón en m/m
 = Loom height in m/m = Loom thickness in m/m = Cover thickness in m/m