

Art. 42/1

Chiusino superiore per
cisterne da trasporto inox

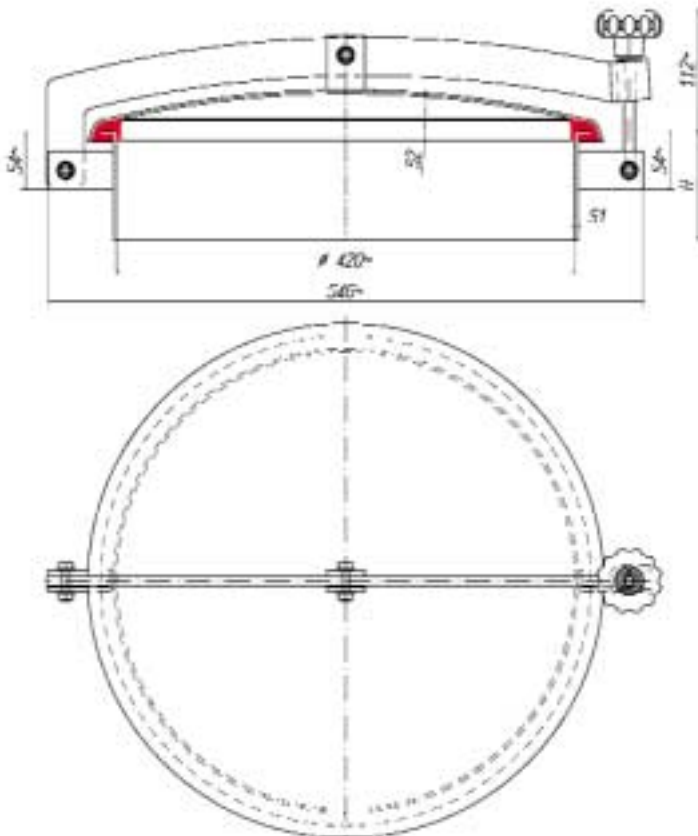
*Trappe supérieure pour
camion citerne en inox*

*Domo superior para
cisternas de transporte
de acero inoxidable*

*Aseptic lid for
road tankers*



Passaggio utile
Passage utile
Luz util de pasaje Ø 420 m/m
Access



ART. REF.	INOX AISI	H m/m	S1 m/m	S2 m/m	P.MAX BAR
42/1s-4	304L	65	3	3	1
42/1s-6	316L	65	3	3	1
42/1s/a-4	304L	130	3	3	1
42/1s/a-6	316L	130	3	3	1
42/1s/b-4	304L	200	3	3	1
42/1s/b-6	316L	200	3	3	1

H = Altezza telaio in m/m S1 = Spessore telaio in m/m S2 = Spessore coperchio in m/m
 = Hauteur cadre en m/m = Epaisseur cadre en m/m = Epaisseur portillon en m/m
 = Altura marco en m/m = Espesor marco en m/m = Espesor portón en m/m
 = Loom height in m/m = Loom thickness in m/m = Cover thickness in m/m