

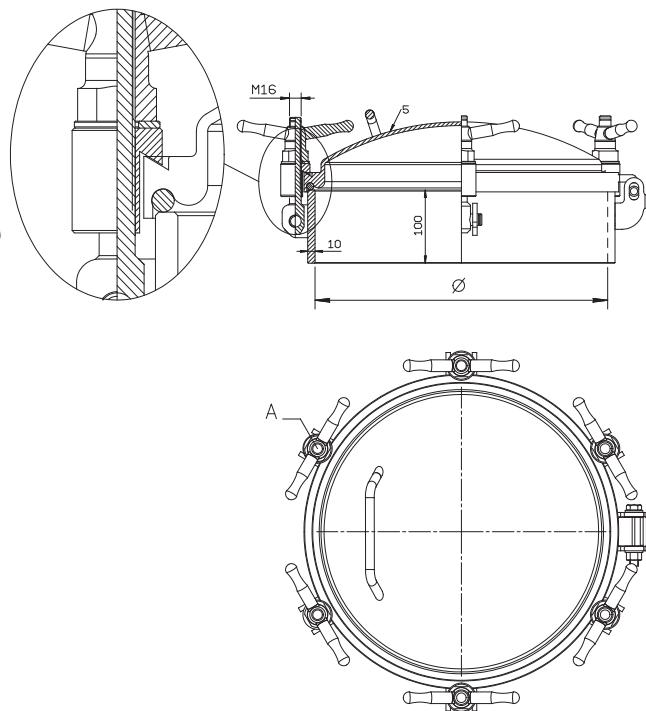
INDUSTRIA - INDUSTRY - INDUSTRIE

CHIUSINO CIRCOLARE A PRESSIONE
 TRAPPE EXTERIEURE RONDE A PRESSION
 BOCA EXTERIOR REDONDA CON PRESION
 ROUND PRESSURE MANHOLE COVER
 RUNDER DRUCK-DOMDECKEL

Art. P.I.P.S "G"



G



MOD	Ø	S1	S2	H	A
PIPS 22 G	220	10	5	100	3; 4
PIPS 30 G	300	10	5	100	3; 4; 6; 8
PIPS 36 G	360	10	5	100	3; 4; 6; 8
PIPS 40 G	400	10	5	100	4; 6; 8; 10
PIPS 45 G	450	10	5	100	4; 6; 8; 10
PIPS 50 G	500	10	5	100	4; 6; 8; 10; 12

WORKING PRESSURE -1 / 10 bar

