

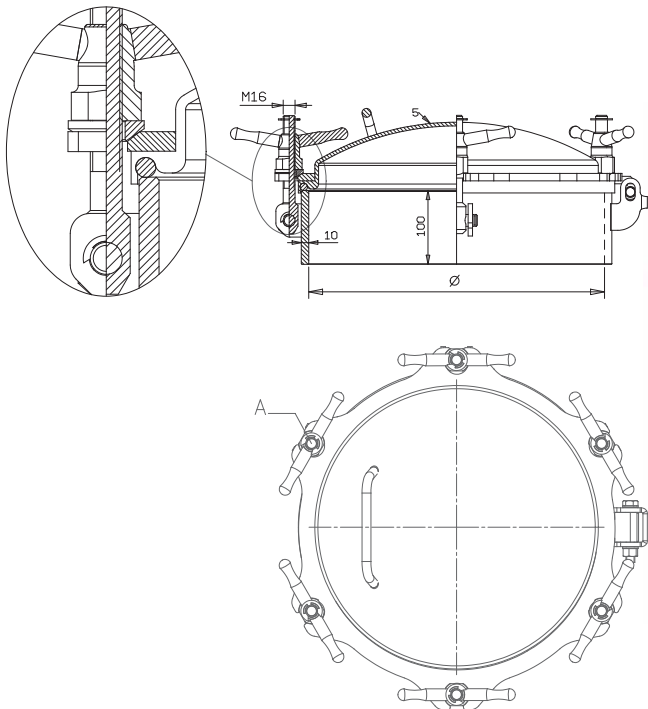
INDUSTRIA - INDUSTRY - INDUSTRIE

CHIUSINO CIRCOLARE A PRESSIONE
TRAPPE EXTERIEURE RONDE A PRESSION
BOCA EXTERIOR REDONDA CON PRESION
ROUND PRESSURE MANHOLE COVER
RUNDER DRUCK-DOMDECKEL

Art. P.I.P.S "F"



F



MOD	Ø	S1	S2	H	A
PIPS 22 F	220	10	5	100	3; 4
PIPS 30 F	300	10	5	100	3; 4; 6; 8
PIPS 36 F	360	10	5	100	3; 4; 6; 8
PIPS 40 F	400	10	5	100	4; 6; 8; 10
PIPS 45 F	450	10	5	100	4; 6; 8; 10
PIPS 50 F	500	10	5	100	4; 6; 8; 10; 12

WORKING PRESSURE -1 / 10 bar

