

Art. 128

Portella ovale
apertura interna

Porte ovale
ouverture intérieure

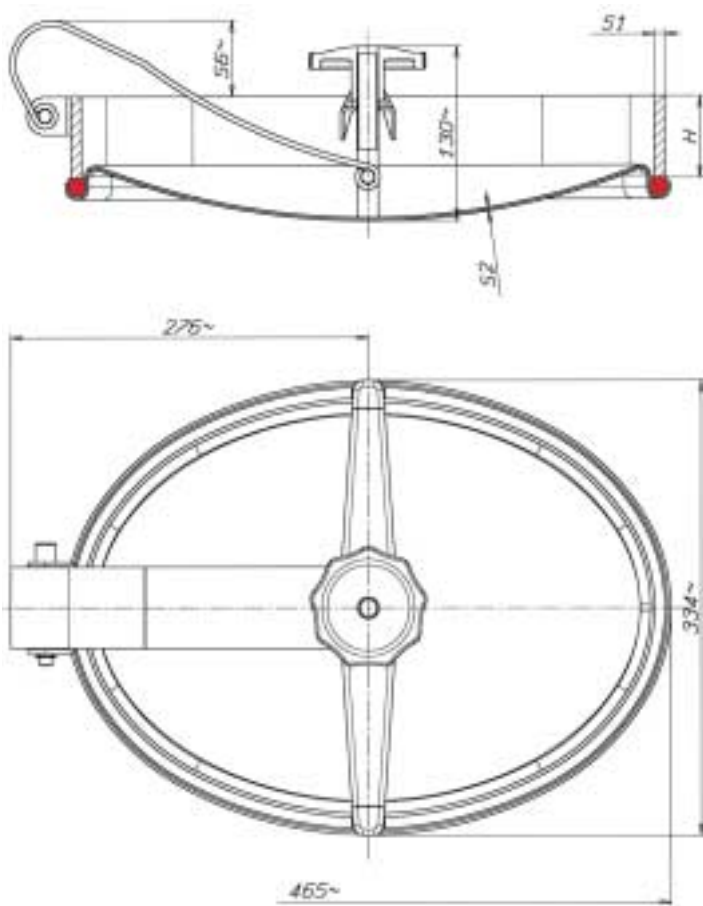
Puerta oval
apertura por dentro

Oval lid
opening inward



Passaggio utile
Passage utile
Luz util de pasaje
Access

440 x 308 m/m



| ART. REF. | INOX AISI | H m/m | S1 m/m | S2 m/m | P. MAX BAR |
|-----------|-----------|-------|--------|--------|------------|
| 128-4 | 304L | 60 | 8 | 2,0 | 3,0 |
| 128-6 | 316L | 60 | 8 | 2,0 | 3,0 |
| 128a-4 | 304L | 80 | 8 | 2,0 | 3,0 |
| 128a-6 | 316L | 80 | 8 | 2,0 | 3,0 |

H = Altezza telaio in m/m = Hauteur cadre en m/m = Altura marco en m/m = Loom height in m/m
 S1 = Spessore telaio in m/m = Epaisseur cadre en m/m = Espesor marco en m/m = Loom thickness in m/m
 S2 = Spessore coperchio in m/m = Epaisseur portillon en m/m = Espesor portón en m/m = Cover thickness in m/m