

Art. 127

Portella ovale
apertura interna

Porte ovale
ouverture intérieure

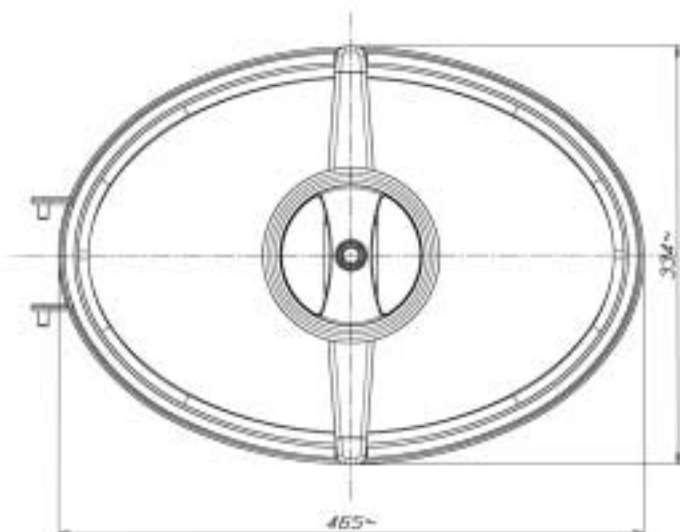
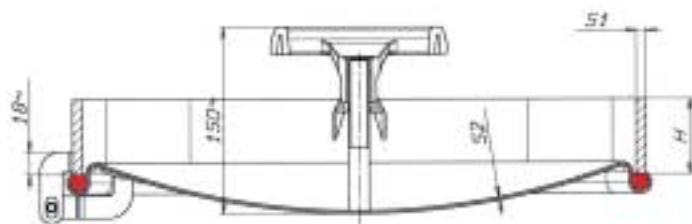
Puerta oval apertura
por dentro

Oval lid
opening inward



Passaggio utile
Passage utile
Luz util de pasaje
Access

440 x 308 m/m



ART. REF.	INOX AISI	H m/m	S1 m/m	S2 m/m	P. MAX BAR
127-4	304L	60	8	2,0	3,0
127-6	316L	60	8	2,0	3,0
127a-4	304L	80	8	2,0	3,0
127a-6	316L	80	8	2,0	3,0

H = Altezza telaio in m/m = Hauteur cadre en m/m = Altura marco en m/m = Loom height in m/m
 S1 = Spessore telaio in m/m = Epaisseur cadre en m/m = Espesor marco en m/m = Loom thickness in m/m
 S2 = Spessore coperchio in m/m = Epaisseur portillon en m/m = Espesor portón en m/m = Cover thickness in m/m